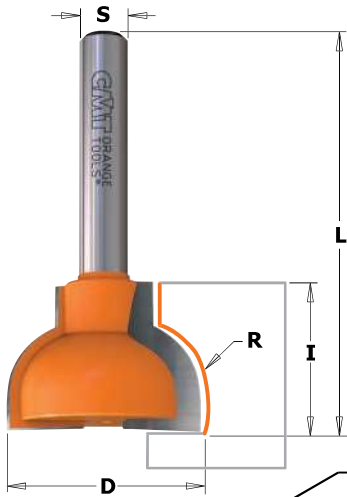


Ovolo Sash Bits

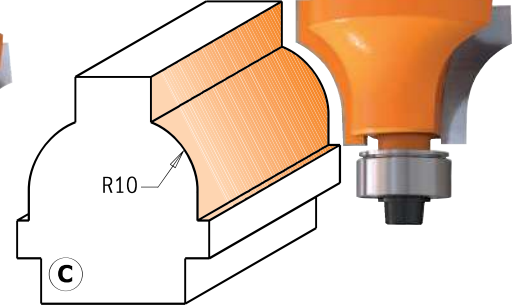
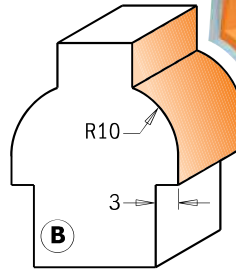
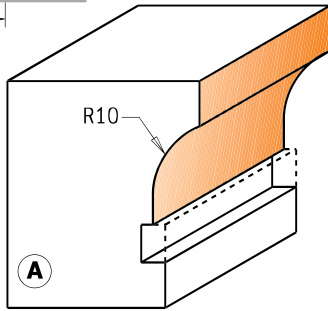


8/955.3

These bits allow you to make true divided light doors for fine furniture and cabinets as well as sash bar windows, and stile and rail constructions. The glazing bar ovolo bits are bearing-guided to enable curved frames to be moulded. Cove bits can be used to produce easy-to-pull drawer handles.



Drawing is 1:1 scale



D mm	I mm	R mm	L mm	PROFILE		ORDER NO. S=Ø6,35mm	ORDER NO. S=Ø8mm
25	19	10	50,8	A	10	855.307.11M	955.307.11M
22	19	10	50,8	B	10	855.307.11F	955.307.11F
28	19	10	61,2	C	10	855.308.11F	955.308.11F

Spare parts

990.423.00	791.003.00	990.058.00	991.057.00

Ovolo Sash Set



57

31,7

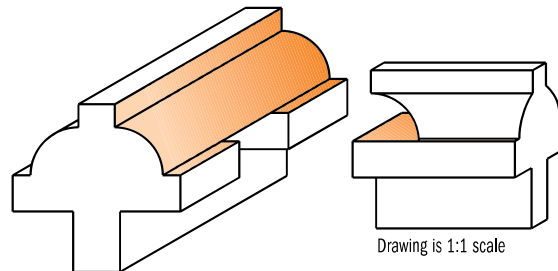
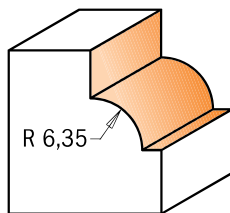
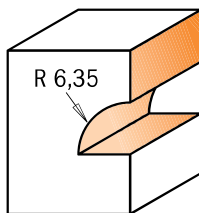
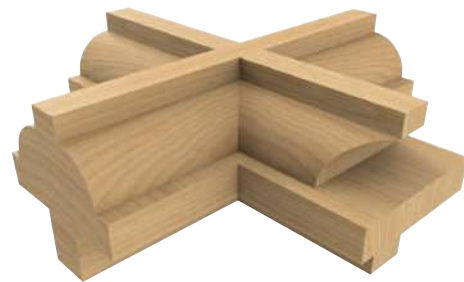


61

30



955.302 - 855.802



Drawing is 1:1 scale

d mm	D mm	I mm	R mm		ORDER NO. S=Ø8mm	ORDER NO. S=Ø12,7mm
30	31,7	12	6,35	5	955.302.11	855.802.11

Spare parts

990.423.00	791.003.00	990.058.00	991.057.00	791.011.00	541.002.00

Spare parts: 991.056.00 1,5mm hex key